

XLED C35M

LED light source



XLED C35E14 4,5W-WW-M

XLED C35E14 4,5W-WW-M	29620	4,5	40	470	2700	320	E14	15000
XLED C35E14 4,5W-NW-M	29621	4,5	40	470	4000	320	E14	15000
XLED C35E14 6W-WW-M	29622	6	60	810	2700	320	E14	10000
XLED C35E14 6W-NW-M	29623	6	60	810	4000	320	E14	10000

Kanlux XLED combines the best features of traditional bulbs and modern LED light sources. Therefore, we talk about it as the first real LED bulb. A mat bulb in the shape of a traditional “candle” and LED diodes placed in such a way so that light can part in all directions, and the angle of light comes to even 320 degrees!

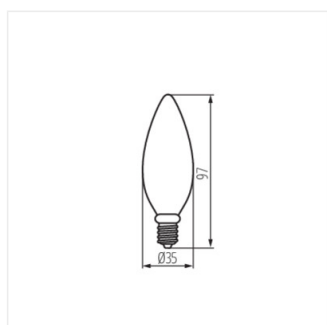
- Lampshade material: glass

XLED C35M

LED light source



XLED C35E14 4,5W, XLED
C35E14 6W



XLED C35E14 4,5W, XLED
C35E14 6W